

Product Name:

145*26 Waterproof LED Injection Module with Constant Current.



Product Description:

3pcs*SMD2835 Single Color DC12V 3.6W.



Features:

- Take TOP 2835LED as light source, no light spot, low decay and good consistency.
- Low consumption, high brightness, free maintenance, long life span.
- Injection outer cover, beautiful and unique appearance, good heat dissipation.
Input voltage: DC12V, reliable and safe. Protect level: IP65.
- With constant current drive and each module can be cut individually.

Applications:

Widely used in 10-30cm depth of double lighting advertising signage, double lighting advertising box, local lighting, etc.

Parameters:

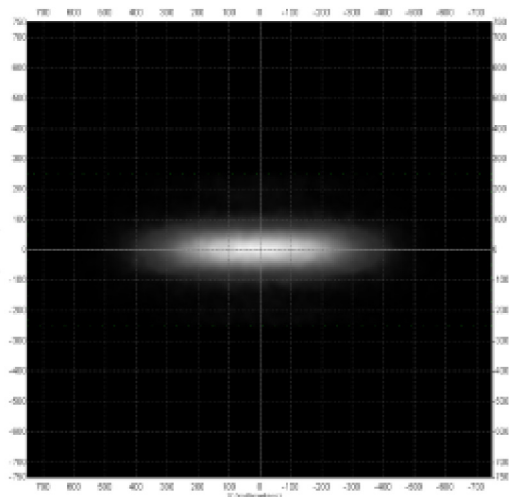
Item No.	LED	Color	Color Temperature	Voltage	Power	Lumens	Efficiency	Beam Angle
LME31 LME31B	SMD 2835	Pure White	6000-7000 K 7000-8000 K	12V	3,6W	260 lm	72lm/W	15*45°

Cascade Number	Outer color	Drive Mode	Weight (10pcs/chain)	Life Span	Work Temp.	Storage Temp.	Protect Level
10	White	Constant Current	g	3 years/ 15000 h	-25-+60°	-25-+80°	IP65

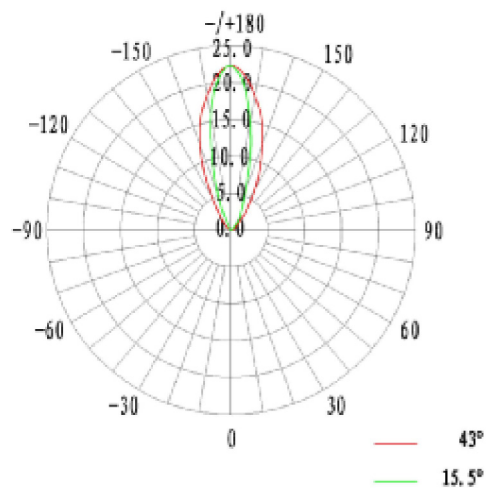
Note:

- Testing ambient temperature: 25±2°C
- All above parameters are typical. Actual product parameters may be different from typical parameters.

Light Spot Diagram and Light Distribution Diagram:

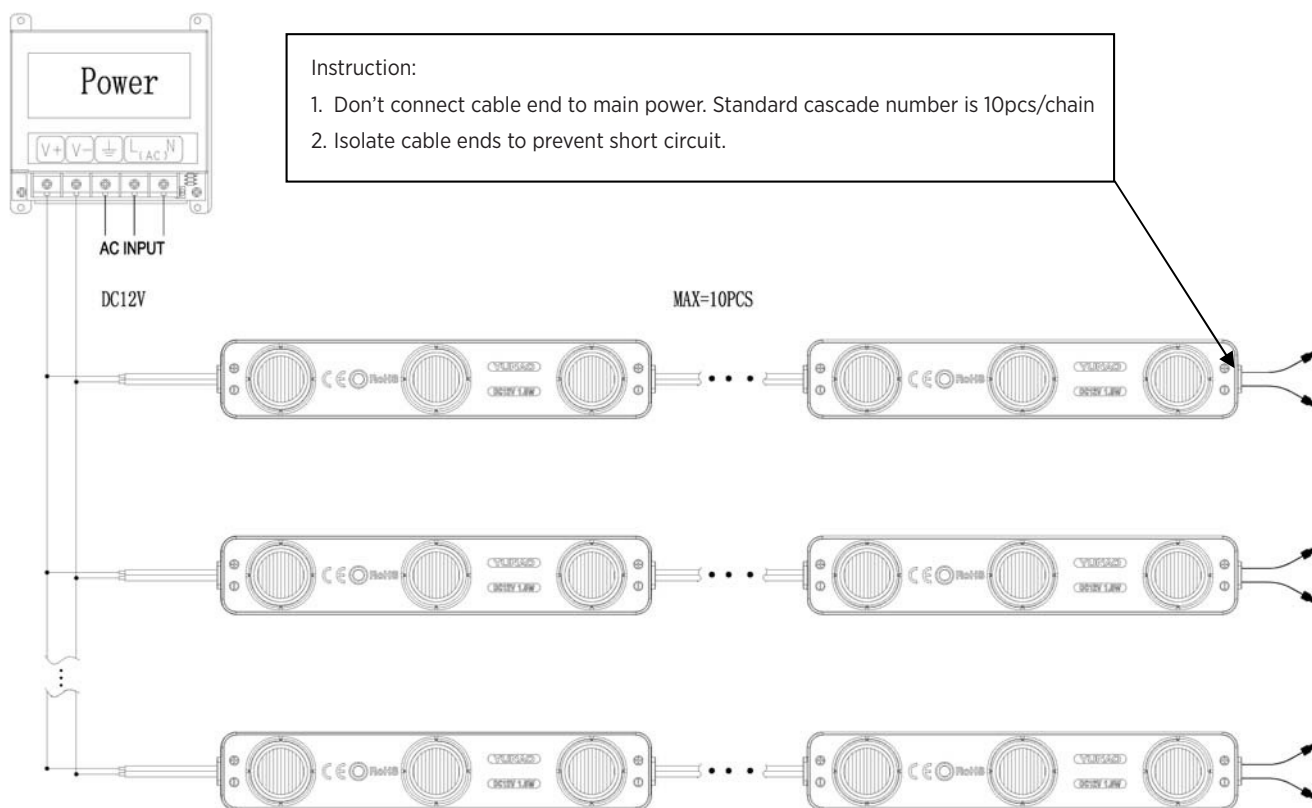


Light Spot Diagram

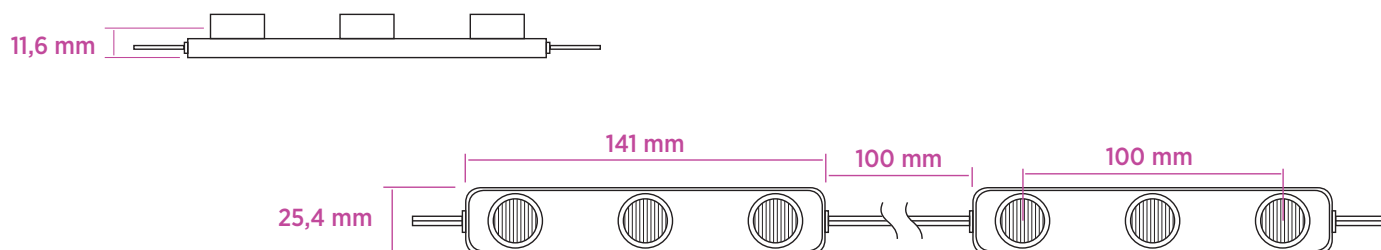


Light Distribution Curve

Installation:



Dimension:



Notes:

- Usually, main power cable dimension is 2x1.5mm². To prevent damage from overheating caused by overload, it is essential to take 0.75mm²/18# wire as main power cable if necessary. Cable length between power and module should not exceed 2m. If over 2m, it will increase total power consumption.
- Install as above instruction, standard cascade number is 10pcs/chain. Over connection is prohibited.
- 1. Take off release paper from adhesive tape at the back of modules.
2. Stick modules inside light box or advertising signage for initial setting.
3. Fix module by glass glue at both sides of module.
- Standard cascade number is 10pcs/chain; Cut into each piece as actual requirement.
- During the connection, use diagonal pliers to cut off power cable between modules, peel off the plastic around 10mm, wire the cables and then connect them to their respective isolation port (the white-red cable heads to positive, the white cable for negative). Do remember check the conductivity and reliability of the cable after the connection, generally, they can't be pulled out of the port by middle force.
- Peel off the cable coat by 10mm (around) then connect them into isolation port if there are extra cable for the chain-end module.
- Make sure that the waterproof and anti-corrosive reliability; grease some silicon glue (neutral glass glue or waterproof glue) into the connection port for further protection.
- Don't touch the product when they are electrified. LED modules can't be for outdoor usage.
- Advise to use SMPS with related safety certificate (with short circuit protection, overload protection and over-current protection)