

Areas of application:

- Signage and illuminated advertising.
- Best for 40 ~ 60 mm depth light boxes and channel letters.
- Permanent outdoor use in enclosed light boxes or channel letters.



Products feature:

- Chain of 75 pcs LED modules.
- High efficiency LED
- High color consistency (MacAdam 4).
- Beam characteristic: 160°
- Protection class of LED module: IP67
- Flexible chain, can be split between any module.
- Mounting with screw or premounted double sided adhesive tape possible.
- Nominal life time up to 50,000 h (at tc 50 C).
- Module size: 50 x 18.5 x 10.4 mm

Application data:

- | | |
|---------------------------------|-----------------|
| • Max connection number | 75pcs |
| • Distance of modules (wire) | 200 mm |
| • Ambient temperature ta | -25 ~ +50 °C |
| • Max. temperature on module tc | 65 °C |
| • Storage temperature ts | -40 ~ +85 °C |
| • Risk group (EN 62471:2008) | 1 |
| • Certification list | CE/UL/ENEC/RoHS |

Technical data:

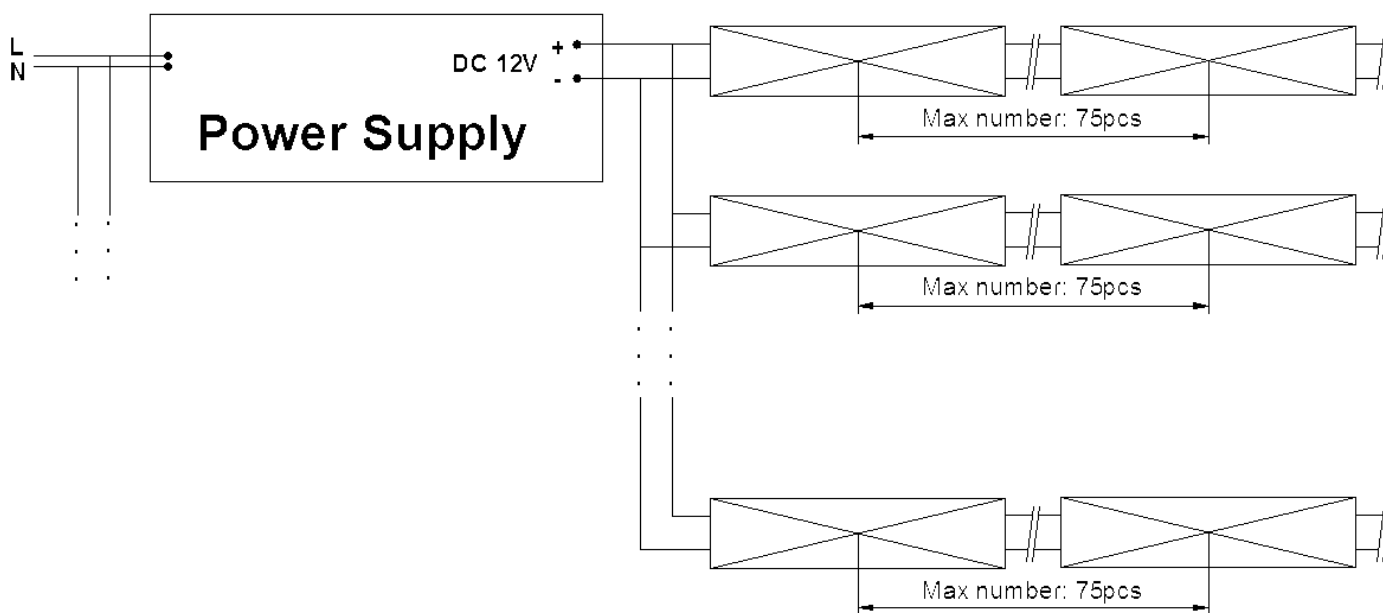
Product name	Nominal voltage ³	Color temperature or Wavelength ^{1,2}	CRI ^{1,2}	Typ. Flux per module ^{1,2}	Typ. Power per module ^{1,2}	Luminous efficacy
2SMD160TC	DC 12 V	2800-3000 K	>70	90.0 lm	1.0 W	90.0 lm/W
2SMD160TB	DC 12 V	4200-4500 K	>70	95.0 lm	1.0 W	95.0 lm/W
2SMD160TW	DC 12 V	7000-7500 K	>70	95.0 lm	1.0 W	95.0 lm/W
2SMD160TF	DC 12 V	10000-12500 K	>70	95.0 lm	1.0 W	95.0 lm/W
2SMD160TR	DC 12 V	620nm-630nm	--	16 lm	0,72	22 lm/W
2SMD160TAZ	DC 12 V	464nm-474nm	--	9 lm	0,72	12,5 lm/W

1. Tolerance range for optical and electrical data: -15/+15 %.
2. All value @ ta=25°C.
3. Tolerance range for the supply voltage: 12 V: ±5 %.

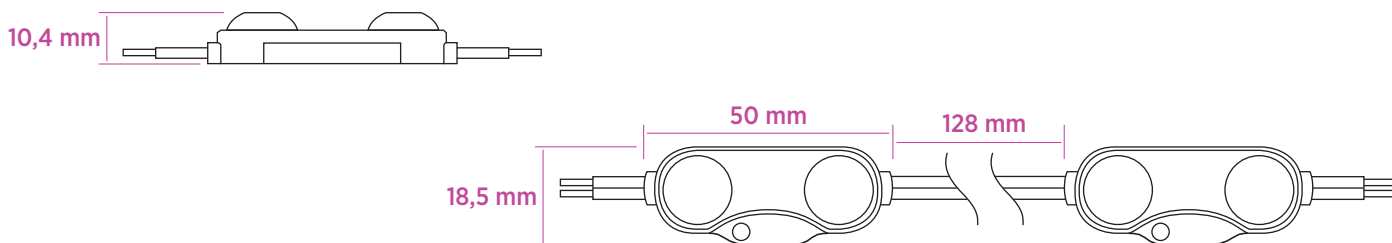
Wiring type:

Cable	UL 1007 18AWG	
Color	red - white	white
Function	+	-

Wiring example:

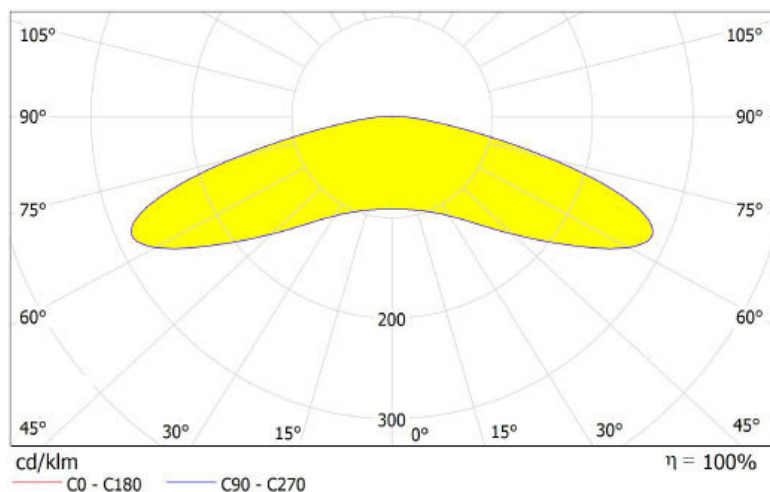


Product 2D drawing (unit: mm):



Light distribution:

Beam characteristics 160°



Noted:

- The power cable should meet the actual maximum current and power.
- All the end point of wire should be treated with waterproof.
- Pay attention to the maximum number of connections, prohibit overloading.
- All the power supply must has the corresponding certification.
- Our company reserves the right of final interpretation.
- Subject to change without notice.